

PIKASEN alpha

SATAKE



COMPACT FULL COLOR RGB OPTICAL SORTER

The Satake PIKASEN Alpha (FMS-2000) is a portable, cost-effective, full color RGB optical sorting machine for small and medium size applications, research and development, pre-production and laboratory use.

Product to be sorted is fed down a 240mm wide chute opening by a patented high-volume feed delivery system. The high capacity system is able to consistently sort from one pound to 4,000 pounds of product per hour.

High resolution (0.14mm/pixel) full color cameras capture product images in 16 million different shades of color. The PIKASEN also uses long life, low energy consumption lighting that uniformly illuminates the product, with an average lifespan of up to 20,000 hours.



FEATURES & BENEFITS



- ▶ Full color RGB Cameras
- ▶ Portable with Small Footprint
- ▶ Satake Smart Sensitivity (3S) System
- ▶ Touch Screen Similar to Smart Phone or Tablet
- ▶ Integrated Aspiration System
- ▶ 3 Chute Options (Flat, Flat Groove, U-Groove)
- ▶ Easy Cleaning and Maintenance



for more info: SATAKE-USA.COM



SATAKE PIKASEN (FMS-2000)

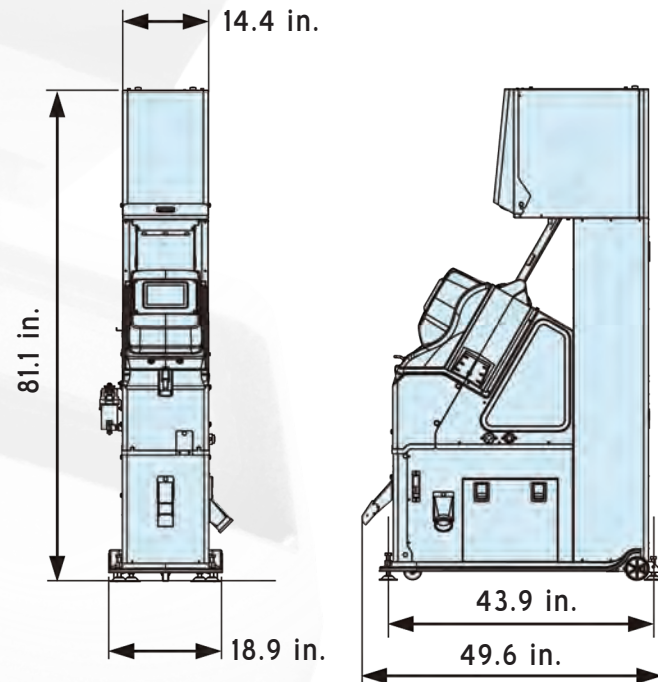
COMPACT FULL COLOR RGB OPTICAL SORTER

www.satake-usa.com/pikasen-alpha

SORTING EXAMPLES



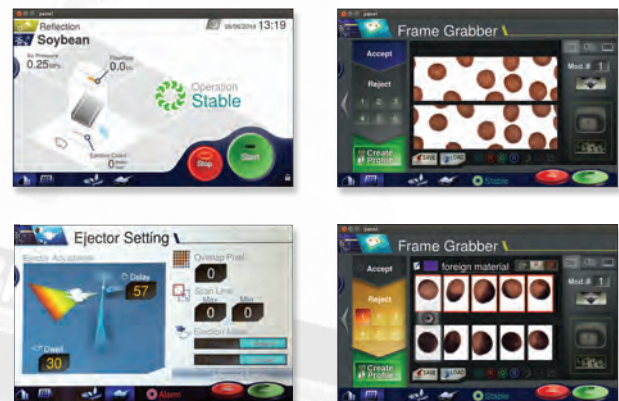
MACHINE DIMENSIONS



SPECIFICATIONS

MODEL	PIKASEN (FMS-2000)
CAPACITY (LB/H)	1 LB TO 4,000 LBS
RAW MATERIAL SUPPLY	PATENTED HIGH-VOLUME SYSTEM
CAMERA	FULL COLOR RGB
LIGHT SOURCE	CCFL (20,000 HRS)
CHUTE WIDTH (MM)	240
CONTROL PANEL	FULL COLOUR TOUCH PANEL
POWER SUPPLY	SINGLE PHASE AC200-240
AIR CONSUMPTION	8-10 CFM
NET WEIGHT (LB)	350
DIMENSIONS (MM)	81.1H X 13.9W X 49.6D
PORTABILITY	INTEGRATED WHEELS

FULL COLOR GRAPHIC INTERFACE



NORTH, CENTRAL, SOUTH AMERICA

Satake USA, Inc. (Corporate Office)
 Tel: 281.276.3600
 Fax: 281.494.1460
 Houston, Texas U.S.A.
 vision@satake-usa.com

WEST COAST USA

Satake USA, Inc.
 Tel: 209.551.3203
 Fax: 209.551.0841
 Modesto, California U.S.A.
 jsargent@satake-usa.com

EUROPE, MIDDLE EAST, AFRICA

Satake Europe Limited
 Tel: 44.161.406.3800
 Fax: 44.161.406.3801
 Stockport, Cheshire, England
 sales@satake-europe.com